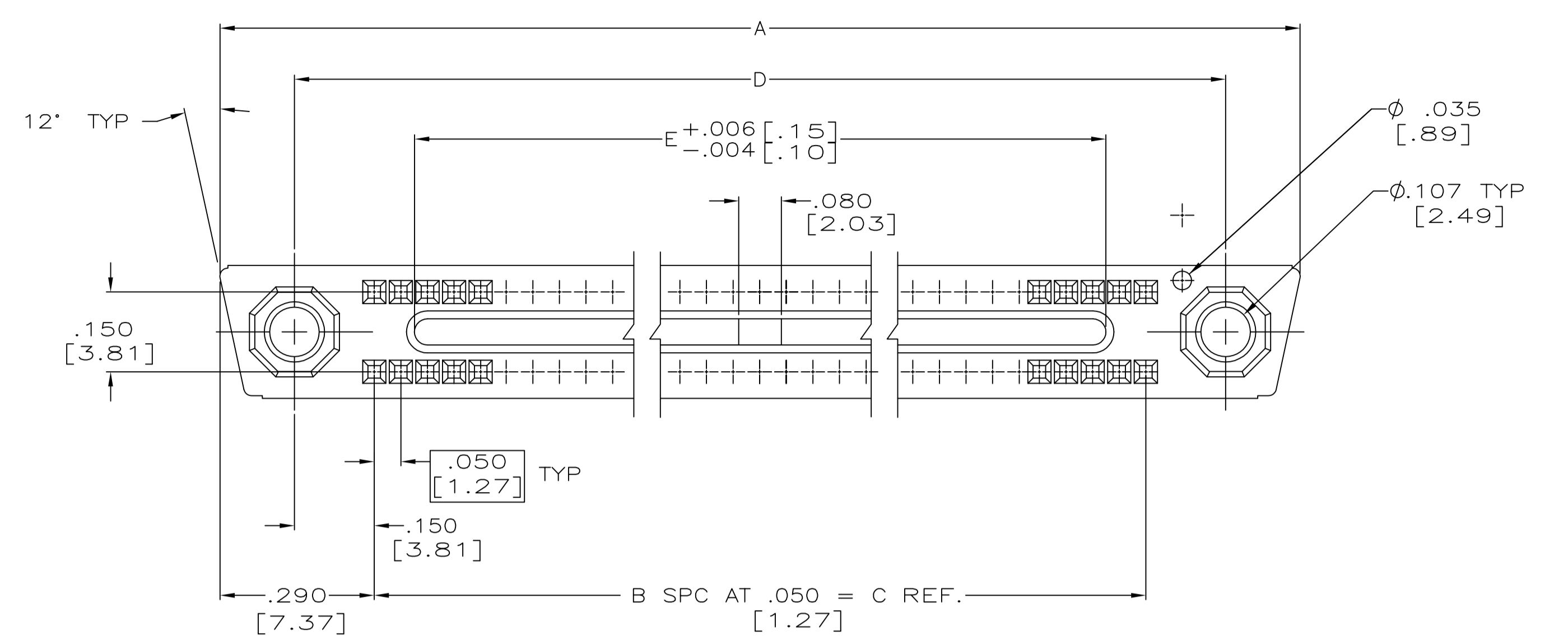
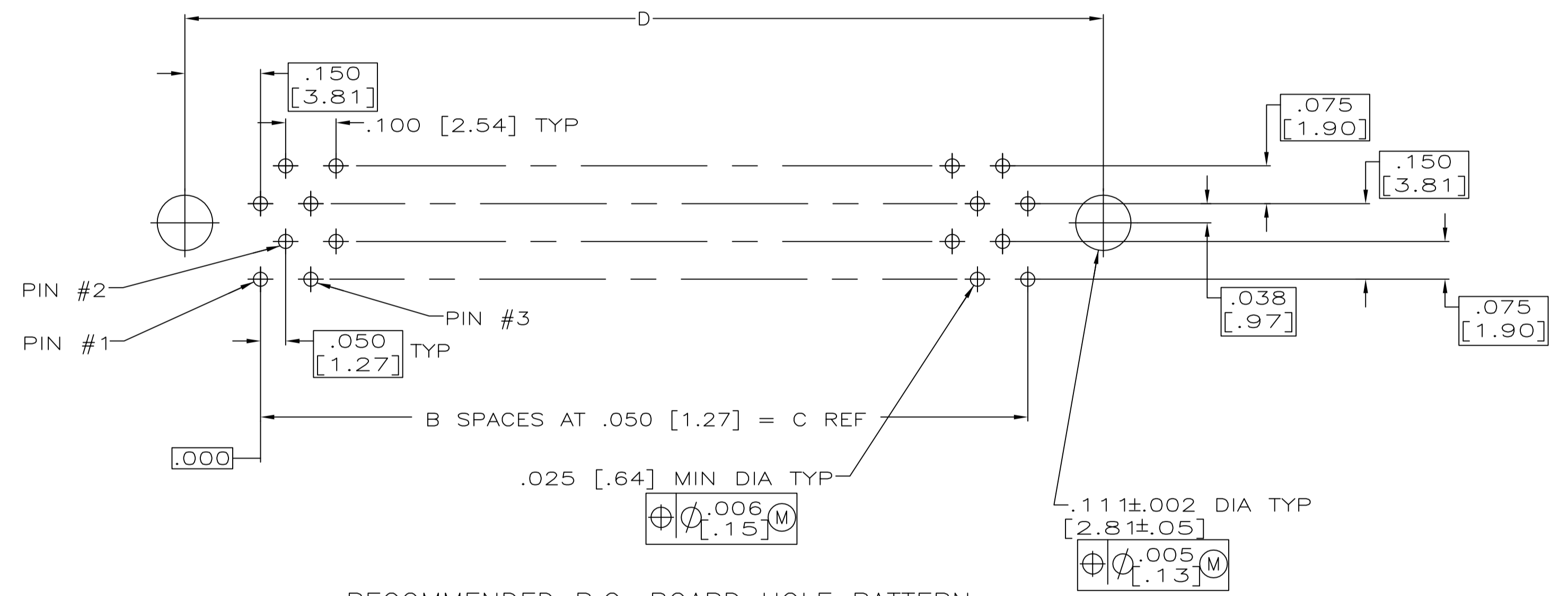
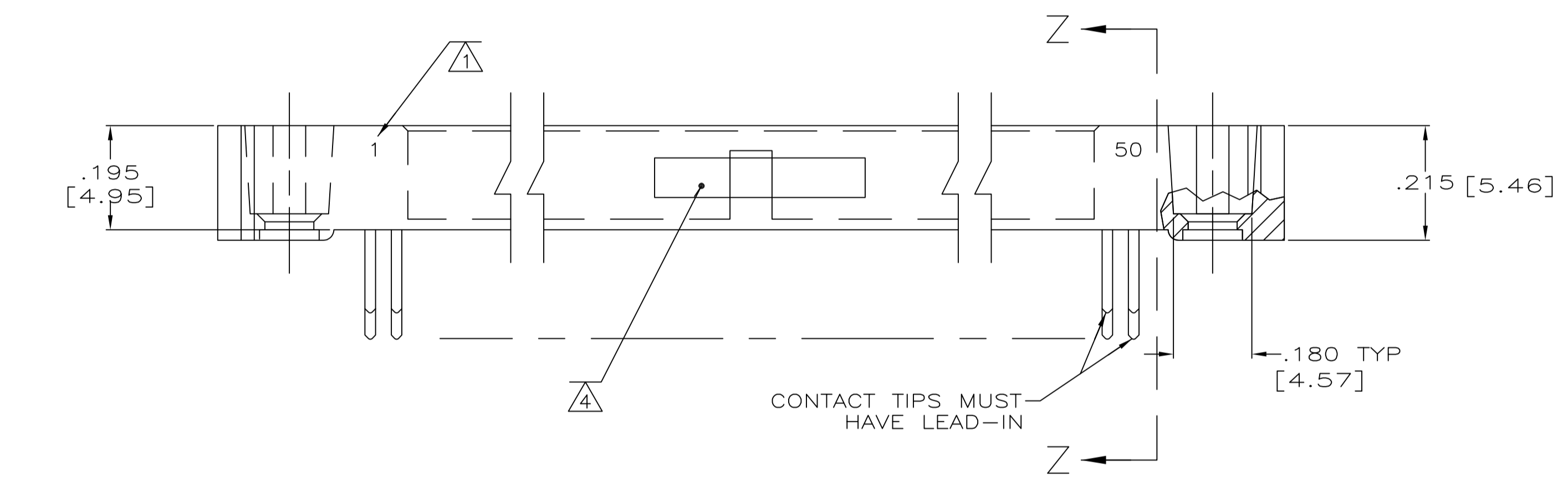


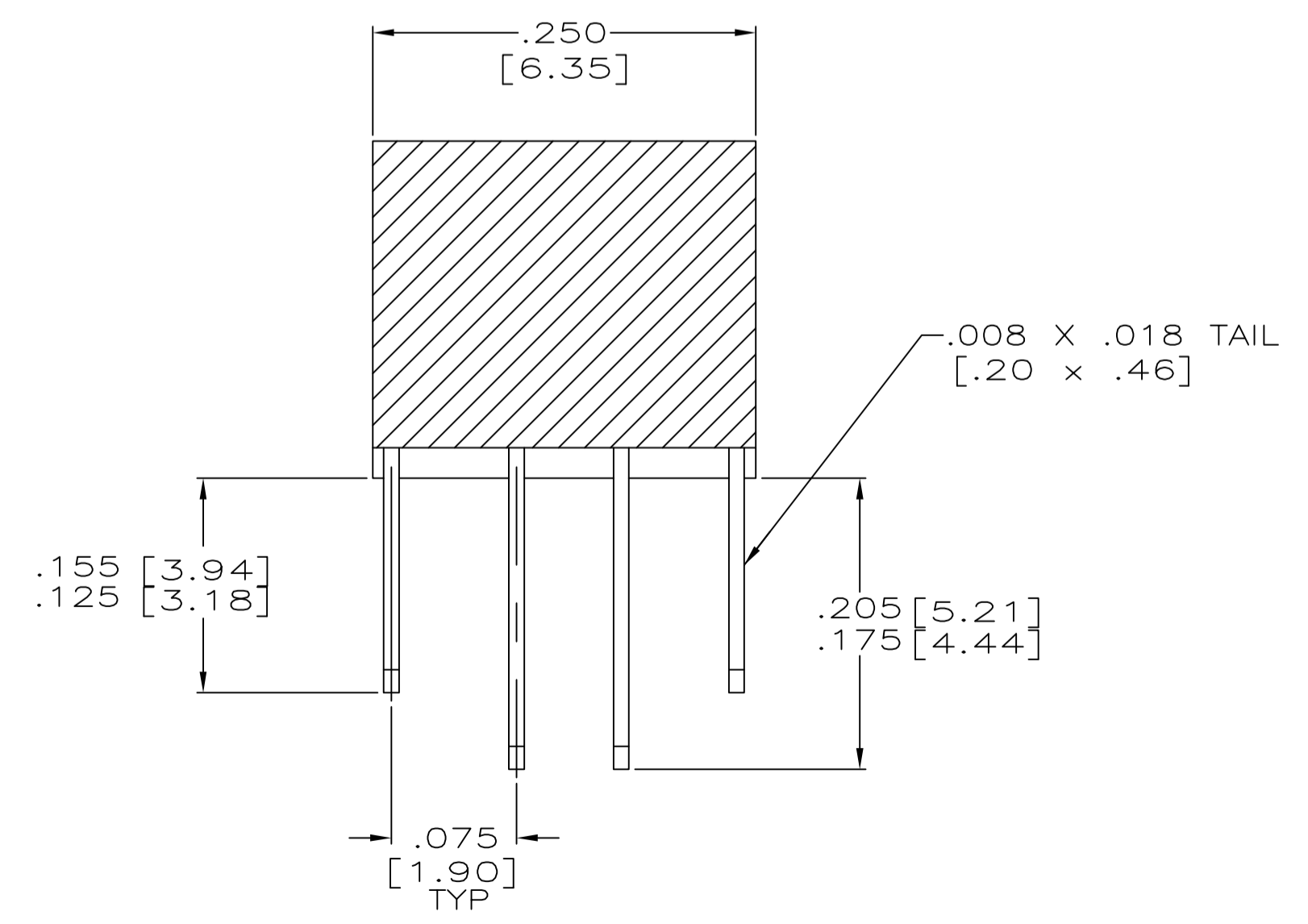
REVISIONS				
P	LTR	DESCRIPTION	DATE	OWN APVD
A		REVISED PER ECO-16-017894	27APR2017	PHM CT



- 1. NUMBERS INDICATING END POSITIONS MARKED THIS SIDE ONLY.
- 2. MEETS ALL APPLICABLE REQUIREMENTS OF MIL-C-55302.
- 3. HOUSING MATERIAL: LIQUID CRYSTAL POLYMER PER MIL-M-24519, GLCP-30F; COLOR: GRAY.
- 4. AMP, PART NUMBER, 00779, CUSTOMER PART NUMBER AND DATE CODE MARKED IN THIS APPROXIMATE AREA.



RECOMMENDED P.C. BOARD HOLE PATTERN (CONNECTOR SIDE)



SECTION Z-Z
SCALE 10:1

016209-002	1 - 50	2.300 [58.42]	2.750 [69.85]	2.450 [62.23]	49	3.035 [77.09]	128	443190-1
CUSTOMER PART NUMBER	CAVITY IDENT	E	D	C	B	A	NO OF POSN	PART NUMBER
THIS DRAWING IS A CONTROLLED DOCUMENT.					OWN: M.E.PASTAL 4-29-96		DRAWING NO: 443190	
DIMENSIONS: mm					DW: D. GUTTER 4-29-96		RESTRICTED TO: A	
TOLERANCES UNLESS OTHERWISE SPECIFIED:					APVD: D. GUTTER 4-29-96		SCALE: 5:1	
0 PLC ± -					NAME: RECEPTACLE ASSEMBLY, MINI-BOX, W/SPECIAL MARKING		SHEET 1 OF 1	
1 PLC ± -					APPLICATION SPEC: -		REV A	
2 PLC ± -					SIZE: A1		REV A	
3 PLC ± .005 [13]					CAGE CODE: C=443190		REV A	
4 PLC ± -					WEIGHT: -		REV A	
ANGLES ± -					CUSTOMER DRAWING		REV A	
FINISH: .00050 GOLD IN CONTACT AREA, TIN-LEAD ON TAILS					SCALE: 5:1		REV A	